

LED

INTEGRAL DRIVER

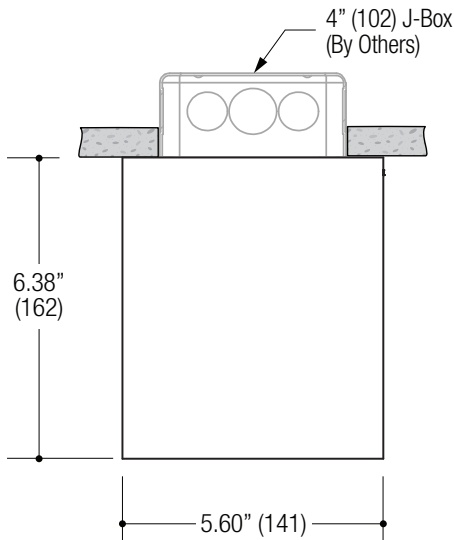
MEDIUM

PROJECT

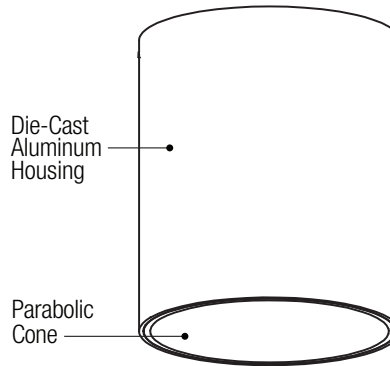
TYPE

CATALOG NUMBER

Measurements in () are metric equivalents.



Standard Surface Mount



Specifications

ROUND HOUSING

- Single downlight fixture / medium size
- Die-cast aluminum housing

LED SOURCE

CREE

- Field-replaceable integral LED module
- Field-changeable optics

ELECTRICAL

- Field accessible junction box wiring and power supply enclosure, access from below
- Integral thermal protection
- Easy maintenance access
- Optional dimming

MOUNTING

- Directly to junction box
- Suspension kit options (See mounting page)

LABELS

- Suitable for wet location - IP65

Stem Mount



Suspended Mount



Select Here for Pendant Mounting Options & Details

5 YEAR WARRANTY
Limited



ORDERING INFO

SERIES	WATTAGE	CRI / COLOR	BEAM	DRIVER	FINISH
CYC Medium Formed Cylinder	26C 26W LED 2800lm del. Delivered @ 92CRI / 3000K 	8027 80CRI / 2700K 8030 80CRI / 3000K 8035 80CRI / 3500K 8040 80CRI / 4000K 9227 92CRI / 2700K 9230 92CRI / 3000K 9235 92CRI / 3500K 9240 92CRI / 4000K	M Medium 20° W Wide 40°	DMU Dimming Multiple Forward/Reverse Phase (@ 120V only) 0-10V Wires Present (@ 120-277V)	BB Black WB White with Black Cone
CYC					

Ordering Example: **CYC-26C-8030-M-DMU-WB**

©2021 FORMED LIGHTING

We reserve the right to change or withdraw specifications without prior notice.

HEADQUARTERS
9200 Deering Avenue
Chatsworth CA 91311

Telephone: 818-885-1335
Toll Free: 855-885-1335
Fax: 818-576-1335

www.formedlighting.com
rev: 072721