

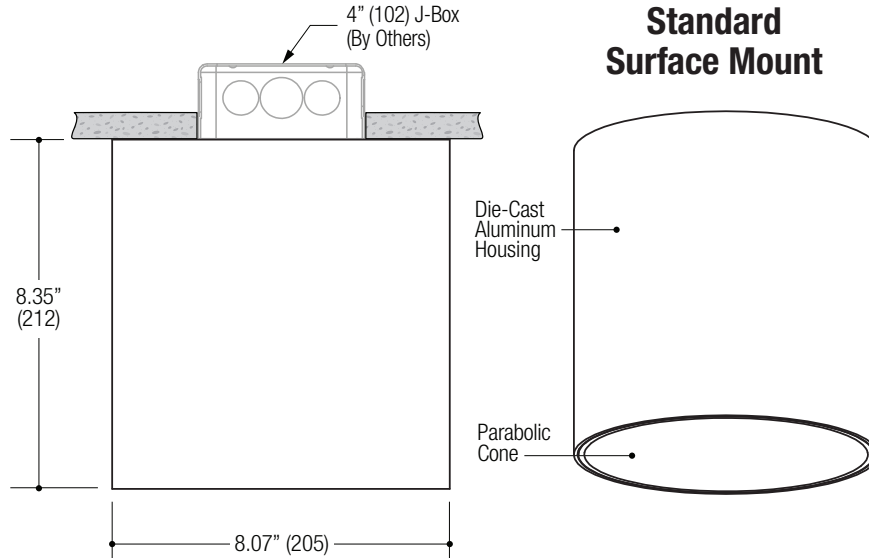
**LED**

**INTEGRAL DRIVER**

**LARGE**

PROJECT	TYPE	CATALOG NUMBER
---------	------	----------------

Measurements in ( ) are metric equivalents.



## Specifications

### ROUND HOUSING

- Single downlight fixture / large size
- Die-cast aluminum housing

### LED SOURCE

#### CREE

- Field-replaceable integral LED module
- Field-changeable optics

### ELECTRICAL

- Field accessible junction box wiring and power supply enclosure, access from below
- Integral thermal protection
- Easy maintenance access
- Optional dimming

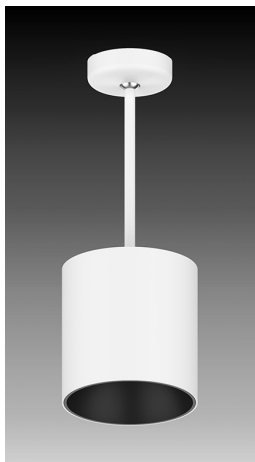
### MOUNTING

- Directly to junction box
- Suspension kit options (See mounting page)

### LABELS

- Suitable for wet location - IP65

### Stem Mount



### Suspended Mount



**Select Here for Pendant Mounting Options & Details**

**5 YEAR  
WARRANTY**  
Limited



### ORDERING INFO

SERIES	WATTAGE	CRI / COLOR	BEAM	DRIVER	FINISH
<b>CYD</b>  <b>Large Formed Cylinder</b>	<b>54C</b> 54W LED 5000lm del.  Delivered @ 92CRI / 3000K  	<b>8027</b> 80CRI / 2700K <b>8030</b> 80CRI / 3000K <b>8035</b> 80CRI / 3500K <b>8040</b> 80CRI / 4000K <b>9227</b> 92CRI / 2700K <b>9230</b> 92CRI / 3000K <b>9235</b> 92CRI / 3500K <b>9240</b> 92CRI / 4000K	<b>N</b> Narrow 15° <b>M</b> Medium 25° <b>W</b> Wide 35° <b>V</b> Very Wide 58°	<b>DMU</b> Dimming Multiple Forward/Reverse Phase (@ 120V only) 0-10V Wires Present (@ 120-277V)	<b>BB</b> Black <b>WB</b> White with Black Cone
<b>CYD</b>					

Ordering Example: **CYD-54C-8030-M-DMU-WB**

©2022 FORMED LIGHTING

We reserve the right to change or withdraw specifications without prior notice.

HEADQUARTERS  
9200 Deering Avenue  
Chatsworth CA 91311

Telephone: 818-885-1335  
Toll Free: 855-885-1335  
Fax: 818-576-1335

[www.formedlighting.com](http://www.formedlighting.com)  
rev: 010722