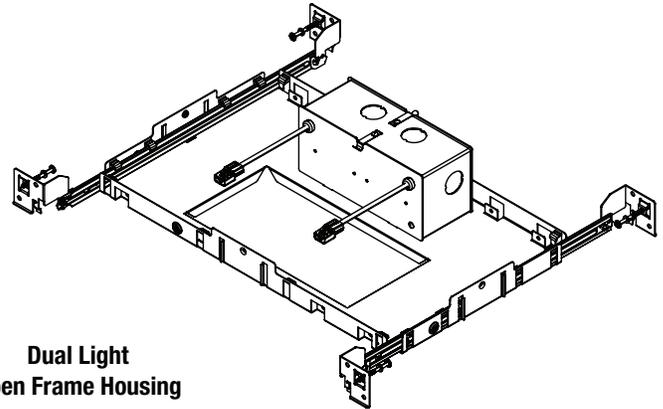
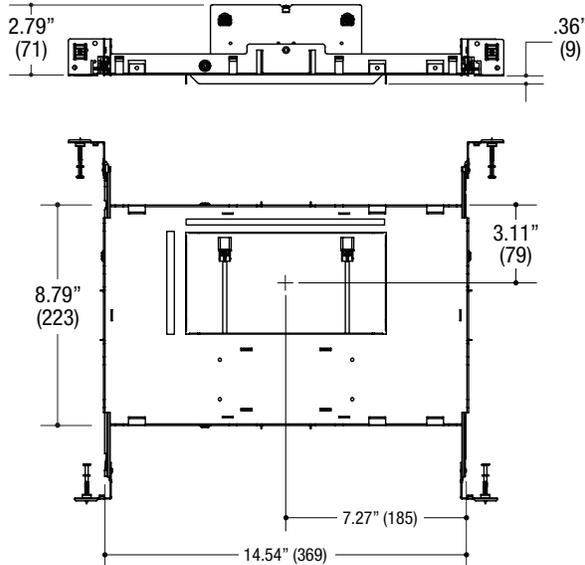


PROJECT

TYPE

CATALOG NUMBER

Measurements in ( ) are metric equivalents.



Dual Light  
Open Frame Housing

## Specifications

### RECTANGULAR OPEN FRAME HOUSING

- Housings of galvanized and aluminum construction
- **Ceiling Cut-out - 8.07" x 4.13" Rectangular**

### ELECTRICAL

- Field-replaceable LED driver
- Electrical wiring compartment integrated into construction
- Internal thermal protection
- Easy maintenance access through ceiling opening
- Rated for through-branch wiring
- Optional dimming

### MOUNTING

- Includes integral hanger bar assembly

### LABELS

- Suitable for damp location
- IC Rated

### HOUSING ORDERING INFO

SERIES	LED MODULE	DRIVER	RATING
<b>4HS-2AN-T</b> IC Open Frame Housing Trimmed	<b>10U</b> 10W LED 900lm del.	<b>DMU</b> Dimming Multiple Forward/Reverse Phase (@ 120V only) 0-10V Wires Present (@ 120-277V)	<b>IC</b> Rated

Ordering Example: **4HS-2AN-T-10U-DMU-IC**



**5 YEAR WARRANTY**  
Limited

©2021 FORMED LIGHTING

We reserve the right to change or withdraw specifications without prior notice.

HEADQUARTERS  
9200 Deering Avenue  
Chatsworth CA 91311

Telephone: 818-885-1335  
Toll Free: 855-885-1335  
Fax: 818-576-1335

[www.formedlighting.com](http://www.formedlighting.com)  
rev:120721